

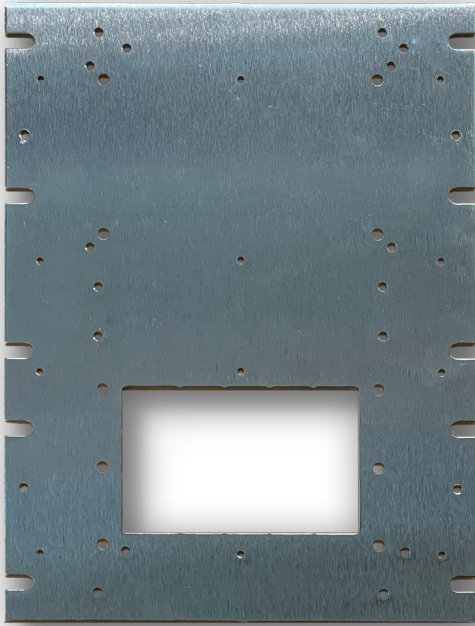
Overview

The EPLT-1M multi-purpose expansion plate can be used to add Mercury controllers, LSP modules, or a Genetec Cloudlink into any LSP Mercury wallmount or rackmount enclosure.

The EPLT-1M mounts into any open MR52 (6 x 8) or VertX slot, is constructed from brushed aluminum and includes all mounting hardware.


ORDERING

Model No.	Description
EPLT-1M	Multipurpose Expansion Plate for MCLASS

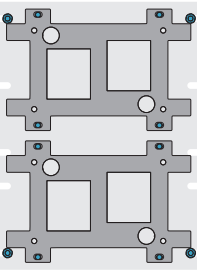


Flexible Mounting Options

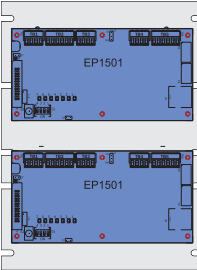
Examples of EPLT-1M usage include mounting two (2) LP1501 modules in place of an MR52 slot in an RGM enclosure, mounting additional MR50 modules into an E8M2 enclosure, mounting a Cloudlink in an E4M or E4V enclosure, or adding additional C8 or D8 modules in place of a Mercury board.



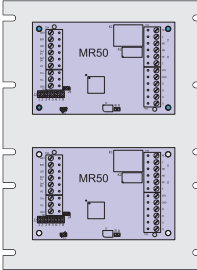
Mercury board patterns




(2) LP1501 Bracket



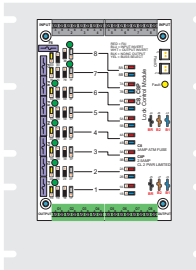
(2) LP1501 PCB



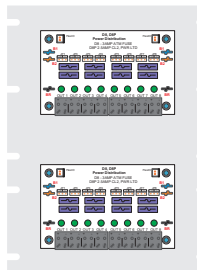
(2) MR50




LSP Patterns



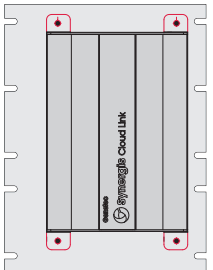
(1) FPO75
C8, M8
NLX



(2) NL2, NL4
C4, D8, F8



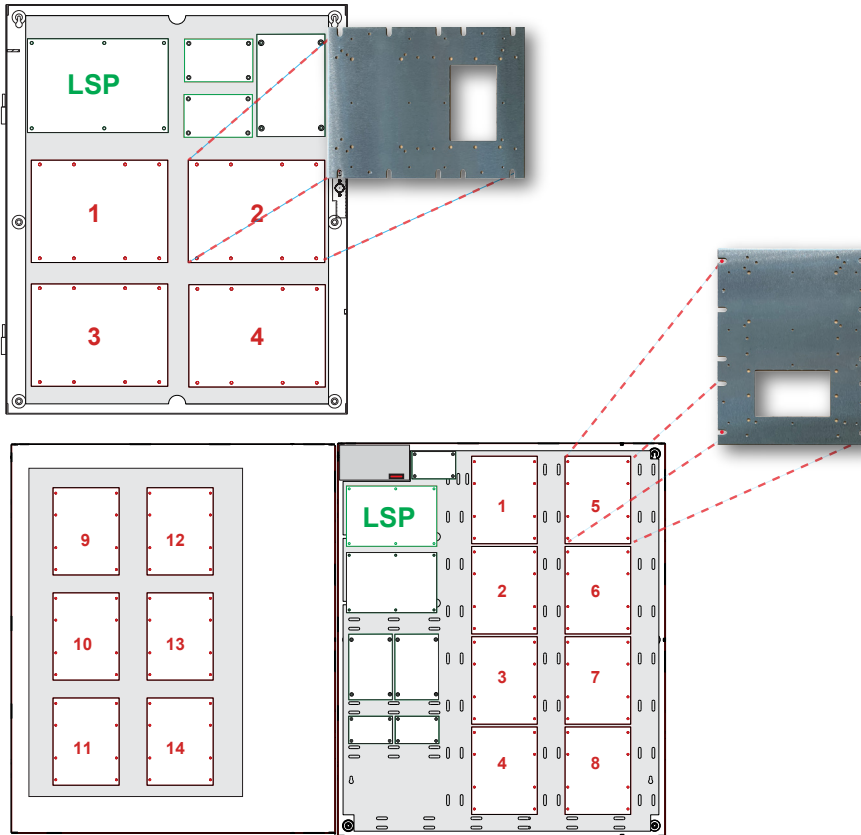
Genetec



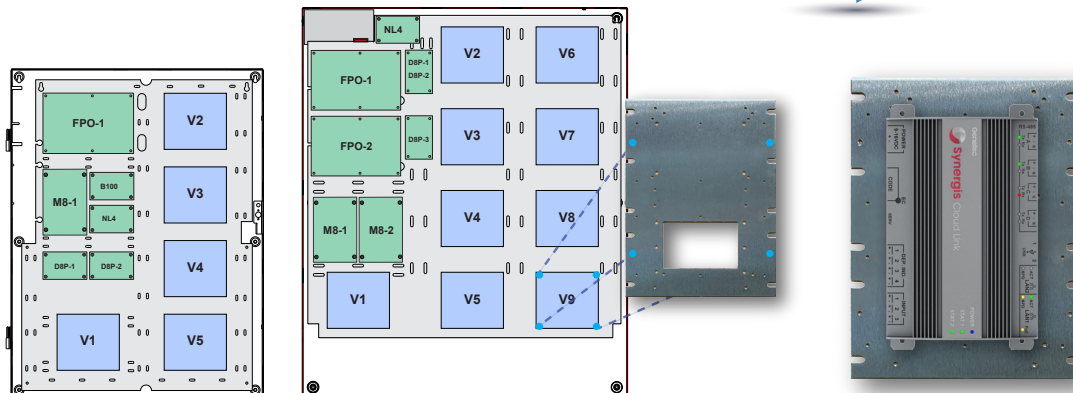
(1) CLOUDLINK

EXPANSION PLATE MOUNTING AREA

EPLT-1M installs into the 6x8 slot in any LSP Mercury enclosure



EPLT-1M can also be installed into LSP Vertx enclosures for Cloudlink mounting



lifesafetypower.com

(888) 577-2898
info1@lifesafetypower.com

Specifications subject to change without notice.

© 2022 LifeSafety Power. All rights reserved.

LifeSafety Power and FlexPower are registered trademarks of LifeSafety Power.

Mercury Security is a registered trademark of Mercury Security.

P01-532A 07/22

LifeSafety Power

10027 S. 51st Street, Suite 102
Phoenix, AZ 85044